



Random Scraps

San Juan Quilters Guild

June 14th, 2022

At the Civic Center

Gather = 9:30 am
Meeting = 10:00 am

**Bring your finished (quilted and bound)
UFO's.**

Inside

Page 2—President's Letter
Page 3—Birthdays
Page 4—Board Minutes
Page 5—Ads
Page 6—Programs
Page 7—Re-Stash
Page 8—County Fair
Page 9—ReStash

July 12, 2022

At the Civic Center

Gather = 9:30 am
Meeting = 10:00 am

“Stars & Stripes”
Sewing day. Bring your sewing machine, red,
white and blue fabric, basic sewing supplies.
You will learn several different star blocks.

**Saturdays - following
the regular guild
meeting**

At Piedra Vista High
Rooms B001& B003

Gather = 9:30 am
Meeting = 10:00 am

Bring basic sewing supplies
Bring your finished (quilted and
bound) UFO's to the June meet-
ing.

Letter from the President

Dear Fellow Quilters & Friends,

I'm in Idaho for granddaughters graduation so my letter is late, sorry.

We are having such great gatherings. This last meeting we saw such beautiful quilting. She taught us appliqué and reverse appliqué techniques. It was nice to see her talents.

We are all working on our UFO's for our June competition and it will be a fun show and tell.

July will help prepare us for the fair which is themed "Red White and You (blue).

We will be learning different stars and techniques on making them. Should be fun.

With all the extras that happen in summer, we hope you take a break and join us at guild meeting. Hope to see you.

Annette Lee

2022

SJQG President



FAT QUARTERS

**Bring a Fat Quarter
For the drawing:**

June – Brights

July – Patriotic

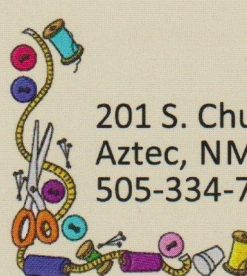
25th Black Canyon Quilt Show
July 15th - 17th

Montrose Pavilion
1800 Pavilion Dr.
Montrose, CO

9:00 to 5:00 Friday & Saturday
10:00 - 4:00 Sunday

Happy
Birthday!

Eloise McDaniel	1-Jun
Elizabeth (Betsy) Lee	6-Jun
Connie Polzin	7-Jun
Gayle Murphy	17-Jun
Kim Duke	17-Jul
Julie Wilder	23-Jul
Patty Archuleta	26-Jul
Cathy Otten	28-Jul



Quilt It Ya Ya
Fabrics, Notions & More
Specializing in Quilting Supplies
Quilting Classes Available
Other Services Offered: Alterations

201 S. Church Avenue
Aztec, NM 87410
505-334-7490 505-334-9566

Mary Craig
Owner



QUILTED THREADS
HAND GUIDED MACHINE QUILTING

LORI COSBY
5501 EVERGREEN DRIVE
FARMINGTON, NM 87402
SewOverIt@gmail.com
505-360-9868 505-325-4490



Durango Quilt Company
EMAIL: durangoquilts@qwestoffice.net

450 S Camino del Rio, Ste 102
Durango, CO 81301
970-247-2582
Store Hours: Mon. to Sat.
10:00 AM to 2:00 PM

Closed Sundays



Snoots
Home Repair Services

Improvements | Maintenance | New Product Installations

Tim Hughes
(505) 330-8711

Email:
timsnoops@gmail.com

San Juan Quilters Guild Board Meeting Minutes—May 11, 2022

Call to Order

Meeting called to order by Annette Lee, President

Minutes of the March 2022 Board Meeting were read by Kim Duke, Secretary.

Rita Jaquez Arnold made a motion to approve the minutes, Lori Cosby seconded with the following corrections:

Bert Roark helped with the phone calls to past members whose memberships we hadn't received this year. Also, Cathy Hale, not Cathy Otten put the picture of the opportunity quilt on Facebook.

Treasurer's Report

Report was given by Susan Nelson, Treasurer. A copy is available to any member upon request.

Old Business

The matter of changing how we distribute door prizes was tabled last month due to the door prize chairman's absence. After brief discussion, it was decided to leave it the way it currently stands.

The long-standing issue of cell phones going off during meetings was briefly discussed. Members will be reminded at the beginning of the meeting to turn them off.

New Business

Lunches can be brought to the civic centers from individuals that they prepared at home. However, they are not to share their food with other members. The Civic Center is still exercising caution until the pandemic is over.

Places are needed to display the opportunity quilt. Susan Nelson is going to see if Citizens Bank will let us display the quilt there and sell tickets. There is a possibility that we could show it at the Art Walk. Karen Brimhall is going to display it at Quilted Corners.

Currently Ellen Vandruff has three items that have been donated for the raffle at the SJ County Fair.

More items are needed. She is going to use Sign Up Genius for the fair schedule this year. We are still going to do shifts lasting four hours.

It was suggested that we display some community service quilts at the fair but we have limited space. Georgia Cortez suggested displaying some in the business building, but there is a fee for that and we would have to man that area in addition to the quilt room. Past experience has shown that it's hard to cover both areas. Jill Tanis stated that she thought we needed something to let people know we are sponsoring the quilt part of the fair, or that we are the caretakers of the quilt section.

Georgia Cortez reported that all programs for the rest of the year are planned with the exception of September. It was suggested that we do a class on making name tags. Jill reported that they are using 20 disposable name tags each month.

Programs to come are: June-UFOS, July-mini classes on making various stars, August-ReStash, September-possibly name tags, October-Wool Class, November-lecture and possible workshop afterwards, December-Christmas Meeting. Karen Brimhall brought an idea for the challenge quilts for the quilt show in 2023. Pictures were shown of 9 x 40 Banners depicting the season of your birth.

Lori Cosby, community service chairperson reported that the focus is going to be quilts for New Mexico fire victims.

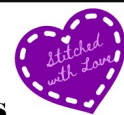
Jill Tanis reported that we currently have 65 members. Members are encouraged to talk to those new to the guild. It was suggested that ambassadors be appointed that would call new members and invite them to come each month for three months.

Motion to Adjourn by Georgia Cortez. Seconded by Ellen Vandruff.

Those attending:

Ellen Vandruff, Lori Cosby, Georgia Cortez, Karen Brimhall, Annette Lee, Susan Nelson, Kim Duke, Rita Jaquez Arnold, Vernell Andrews, Jill Tanis.

Longarms - Machines
Fabrics - Notions - Patterns
Kits - Classes...
and so much more!



The 4-Corners
Largest Authorized
BERNINA
Dealer

Cortez Quilt Company and more



CORTEZ QUILT COMPANY
40 WEST MAIN STREET
970-565-7541

WWW.CORTEZQUILTCOMPANY.COM
AIMEE@CORTEZQUILTCOMPANY.COM

Professional, timely
service on all brands
of machines.

made to create

BERNINA



QUILTED CORNERS
3030 EAST MAIN STREET
SUITE A1
505-325-9358

WWW.CORTEZQUILTCOMPANY.COM
TODD@CORTEZQUILTCOMPANY.COM
CASSIDY@CORTEZQUILTCOMPANY.COM

The 4-Corners
Largest Authorized
BERNINA Dealer

BERNINA

made to create

Quilted Corners

We have Longarms,
Machines, Fabrics,
Notions, Patterns,
Kits, Classes, and
much more!

Professional, timely
service on all brands
of machines.



Programs

July Program

This months program is called Stars and Stripes. We will have a sew day to learn how to make different stars through member demonstrations. This is also a challenge for the next 4 months until November meeting to make a stars and stripes quilt or wall hanging. I will look for a venue to display the quilts for Veterans Day in November. Bring your red, white and blue fabric along with your sewing machine & basic sewing supplies to the July meeting. You may want to bring your lunch since it will be a sew day.

August Program

Re-Stash event which means “an opportunity to get rid of some sewing stuff you no longer want or need and sell it to members who would like it. You can reserve a table now at the next guild meetings prior to August. You are responsible for managing your table, sales etc on the Re-Stash days. Invite your friends to the sale. Also, bring a lunch to this meeting.

September Program

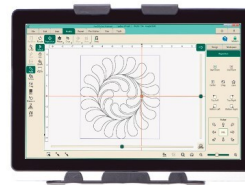
Name Tags sew day. We will be making name tags, the homemade, quilty kind to wear to future meetings. We are spending money unnecessarily by purchasing paper name tags. Let’s save some money and get creative with making our own name tags to wear at the meetings. Bring basic sewing, fabric scraps & supplies for making name tags and your sewing machines.

Thanks Ladies, see you soon. Georgia

Bob's is now a HandiQuilter Dealer!



HandiQuilter
BY QUILTERS FOR QUILTERS



 Find us on Facebook
Eubank Store
1641 Eubank, NE
Albuquerque 87112
(505)294-6155

Bob's
Sewing & Vacuum
Center
www.bobssewnvac.com

Alameda Store
3551 Highway 528
Albuquerque 87114
(505)897-9782



SIZED FOR YOUR SPACE PRICED FOR YOUR BUDGET

FIND YOUR FIT NOW!

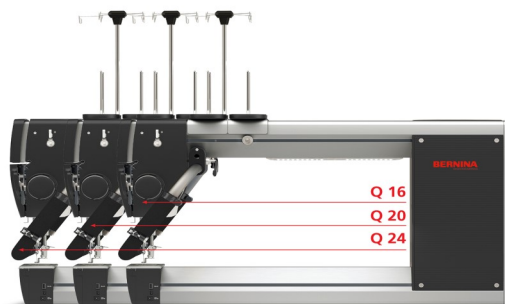
All models in stock
Come test drive today!

Only at:

stitch



Q24 + Qmatic



Q 16
Q 20
Q 24

Q20



Q16



858 Main Ave, Suite 102 Durango, CO
(970) 247-1085
www.stitchonline.net

stitch

BERNINA
made to create

SAVE THE DATE

Re-Stash

NEW OR SLIGHTLY USED: Fabric, Thread, Patterns, Tools, Books, Rulers, Templates, Yarn, Knitting/Crochet needles, stamps, paints, needles, ribbons, embellishments and all things fiber arts.

TUESDAY, AUGUST 16TH AT THE CIVIC CENTER

***** PLEASE NOTE THIS CHANGE TO OUR MONTHLY GUILD MEETING *****

Set up & Gather: 8:30-9:30
Guild meeting: 10:00
Sale begins at end of meeting

(Sellers must be guild members; have all items pre-priced & bring cash/coins for change. Non-members are welcome to come, shop & spend their money:>)

San Juan County Fair *** August 6 - 14,2022 at McGee Park

We will be taking entries Saturday, August 6th from 10:00 am to 6:30 pm. We will need the following:

Saturday Aug 6th:

9:30 to 12:30—4 people

12:30 to 3:30—4 people

3:30 to 6:30—3 people

*Checking in quilts

Sunday, Aug 7th during judging:

9:00 to 1:00—7 people

*Scribes for judges and quilt movers

Sunday Aug 7th to hang quilts:

1:00 to TBD—10 people

*Friends and Family members are appreciated!

Sunday Aug 14th:

9:00 to 11:30—4 people

11:30 to 2:00—4 people

*Taking down and distributing to owners

Sign up sheets will be at the guild meetings.

If you have any questions, call Gail Hoffman 505-330-7037

Opportunity Quilt

The opportunity quilt committee, Karen Brimhall and Ellen Vandruff, are always available to fulfill your raffle ticket needs.

We're planning on having the quilt displayed at Wall Art during the next art walk.

We also ask you to remember that the county fair is coming in August and we'll be needing quilts for the side raffle. Your show quilts also help to round out the display for the fair quilt show. It's a great time to show the community the things that are happening in the guild.

Karen & Ellen

You've heard the phrase, "reuse, repurpose, and recycle?"

Now you can add a new word to your vocabulary: **"Re-Stash"**

Do you have 10 spools of glow-in-the-dark thread that you don't remember buying? Perhaps you wanted to make Jill Fischer a flannel quilt, purchased a bundle of fabric then, someone informed you of her aversion to flannel (She just cringes at the word!). Or how about this *true* story: "Why do I have 4 (yes, four) – 120 inch tape measures?" The answer is that when I couldn't find one, I asked my husband to look for it since he is good at finding things. He stood at the door of the studio and declared it was easier to get in the car, drive to JoAnn's, and buy a new one rather than to search through the mess.

Do any of these stories sound familiar? Well, you are in luck! This is the time and place to get rid of some of those things without feeling guilty and make a little cash at the same time.

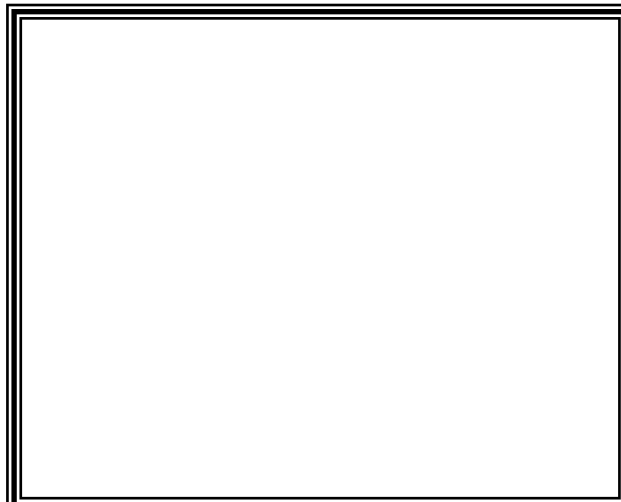
In April we will have the **"Re-Stash – A Quilter's Garage Sale"** event. So, start cleaning out your studio, closet, or corner now. Anything in these categories qualifies:

Quilting
Crafting
Sewing
Knitting & Crochet
Décor
Needle Arts
Art Supplies
Finished Pieces

The money you make is your own. There is no charge from the guild. Items must be gently used or new. Each person will be responsible for their own "store." We may be limited on space, but go ahead and bring it all! We will give you at least one table (perhaps two depending on participation). You must have each item priced. Other things to think about: cash for change, notebook if you are partnering with a friend, color coded dots for pricing, and a calculator.

Contact Shellie to reserve a table: quiltingbean1@msn.com or 505-486-5805

San Juan Quilters Guild
 P. O. Box 5541
 Farmington, NM 87499



Visit us on the web at
www.sjgg.org

Morning Meeting

Second Tuesday of the Month
 Socializing at 9:30AM
 Meeting at 10:00 AM
 Farmington Civic Center
 200 W. Arrington

Saturday Meeting

As announced
 Piedra Vista High School

The San Juan Quilters Guild meets the second Tuesday of each Month at the Farmington Civic Center (daytime) 200 W. Arrington St. *Random Scraps* is published in January, March, May, July, September and November of each year. Quilting related articles, tips, hints and news are welcome. Items are due to the editor NLT Mid-night on the Saturday following the Board meetings. Mail submissions to the editor: Shellie Purcell, 733 Sunrise Ct., Farmington, NM 87401 or PREFERABLY, email at quilt-bean1@msn.com. Items received prior to publication date will be included as space permits.