



Random Scraps

San Juan Quilters Guild

Feb 8th, 2022

At the Civic Center

Gather = 9:30 am
Meeting = 10:00 am

Sewing Meeting
See page 7 for details

Bring any UFO's (unfinished objects)
and a dollar for each quilt you bring.

Inside

Page 2—President's Letter
Page 3—Birthdays
Page 4—Board Minutes
Page 5—Ads
Page 6—Membership
Page 7—Programs

Mar 8, 2022

At the Civic Center

Gather = 9:30 am
Meeting = 10:00 am

Another Sewing Meeting

Kim Duke will demonstrate how to
make a Fidget Quilt.
Supply list will be handed out at the Feb
Meeting.

Saturdays
Feb 12, 2022
March 12, 2022

At Piedra Vista High
Rooms B001& B003

Gather = 9:30 am
Meeting = 10:00 am

Bring basic sewing supplies

Sewing Meeting
Bring any UFO's
(unfinished objects) and a dollar
for each quilt you bring.

Letter from the President

Hi Quilting Friends,

I am so happy that we can be meeting together again as sewing friends.

The Civic Center has guidelines for us because of the COVID in our area. We will be wearing masks or social distancing as needed and, we will be unable to have our usual potluck meals. We will be able to enjoy our time together and still do service projects to help others,

The program committee is planning projects that are interesting and will be helping us to reach the needs of many in our area. They will be sending a letter tell us what the bring and just what they have planned.

The January meeting was so fun as we saw the UFO (unfinished projects) that were in our closets. If you would like to bring some this month to add to the personal challenge you could still bring \$1 dollar for each project and be entered into the drawing. They have given us till June to finish our delayed projects and show what we have accomplished.

The Program committee is planning a sew day for February as we work on a service project for children. They will give us more information in their letter with what members are needing to bring. (Machines and sewing equipment will be needed)

Thank you for your support and, I ask that you encourage other members to join us for the 2022 year.

Thank you for you support.

Annette Lee
2022 SJQG President



FAT QUARTERS

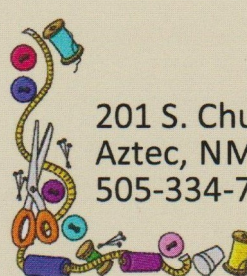
**Bring a Fat Quarter
For the drawing:**

**Feb – Red, Pink &
White**

Mar – Green

Happy
Birthday!

Ellen Vandruff	1-Feb
Gretchen Gruber	5-Feb
Tracey Howlett	7-Feb
Susan Nelson	9-Feb
Lori Cosby	11-Feb
Shelley M. Frazier	20-Feb
Janet Green	24-Feb
Susan Bowman	26-Feb
Beverly Maeschen	27-Feb
Joyce Mills	4-Mar
Lennis Walker	5-Mar
Melanie Nelson	7-Mar



Quilt It Ya Ya
 Fabrics, Notions & More
 Specializing in Quilting Supplies
 Quilting Classes Available
 Other Services Offered: Alterations

201 S. Church Avenue
 Aztec, NM 87410
 505-334-7490 505-334-9566

Mary Craig
 Owner



QUILTED THREADS
 HAND GUIDED MACHINE QUILTING

LORI COSBY
 5501 EVERGREEN DRIVE
 FARMINGTON, NM 87402
 SewOverIt@gmail.com
 505-360-9868 505-325-4490



Durango Quilt Company
 EMAIL: durangoquilts@qwestoffice.net

450 S Camino del Rio, Ste 102
 Durango, CO 81301
 970-247-2582
 Store Hours: Mon. to Sat.
 10:00 AM to 2:00 PM

Closed Sundays



Snoots
 Home Repair Services

Improvements | Maintenance | New Product Installations

Tim Hughes
 (505) 330-8711

Email:
timsnoops@gmail.com

San Juan Quilters Guild Board Meeting Minutes—January 2022**Call to Order**

Meeting called to order by Annette Lee, President

Minutes of the November 2021 Board Meeting were read by Kim Duke, Secretary.

Rita Jaquez Arnold made a motion to approve the minutes, Bert Roark seconded and the minutes were approved.

Old Business

Annette Lee stated that the guild has renewed their contract with the Civic Center for 2022 and the contract with the Farmington Schools for use of Piedra Vista for Saturday meetings. Both locations require that masks must be worn by anyone using the facility. The question was raised as to whether the guild should purchase masks. It was decided that people are required to wear masks everywhere since the mask mandate is still in effect, so each member is responsible for their own mask.

Susan Nelson will check on our insurance since we now have a Saturday group meeting at another location, and Annette will purchase balloons to put by the new location at Piedra Vista so members can find the location.

It was voted in guild meeting that everyone would be responsible for bringing their own drinks to meetings.

New Business

A question arose regarding bringing guests and not charging. A review of the bylaws found that a guest can attend one meeting without being charged, and after that it is \$5 per meeting. The exception to that rule is if we have a paid speaker and then the guest must pay regardless of whether it's their first time or not. There is also an extra charge if a non-member takes a class and that charge will be determined based on the speaker's charge to the guild.

Bert Roark stated that the Saturday group will be for beginners in addition to more experienced quilters.

Lori Cosby reported that members were very generous in their donations for local agencies at the December meeting. She is encouraging everyone to bring toiletries to donate to the Women's Shelter. Bert Roark wants to work on a quilt retreat for the entire guild for next year. This would be for 2023. Rita expressed concern about people in the back of guild meetings not being able to hear. It was suggested that Annette needs to make sure the Civic Center has a microphone for us to use.

Jill Tanis reported that we had 30 members attend the January meeting. She had 32 membership renewals—31 being regular and 1 being an auxiliary. \$905 in dues were collected.

Vernell Andrews requested that the amount for door prizes be increased from \$10 to \$15. It was decided that 2 gift certificates would be given at day meeting and 1 at the Saturday meeting until the Saturday attendance increases and then they will receive 2 also. The motion to approve was presented by Vernell Andrews and seconded by Linda Barlow. Motion passed.

Linda Barlow presented a budget proposal for 2022. A copy of the financial status of the guild is available to every member upon request. Linda reminded those involved that new signature cards would have to be obtained at the bank.

A motion was presented to remain at the First Presbyterian Church for Board Meetings by Annette Lee and seconded by Bert Roark. Motion passed.

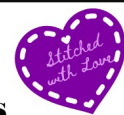
Rita reminded everyone that sewing at the red schoolhouse is scheduled for the 29th. If she doesn't have people interested, they will cancel.

Motion to Adjourn

Jill Tanis made a motion to adjourn and it was seconded by Lori Cosby.

Those attending: Rita Jaquez Arnold, Bert Roark, Linda Barlow, Ellen Vandruff, Annette Lee, Kim Duke, Lori Cosby, Vernell Andrews, Susan Nelson and Jill Tanis.

Longarms - Machines
Fabrics - Notions - Patterns
Kits - Classes...
and so much more!



The 4-Corners
Largest Authorized
BERNINA
Dealer

Cortez Quilt Company and more



CORTEZ QUILT COMPANY
40 WEST MAIN STREET
970-565-7541

WWW.CORTEZQUILTCOMPANY.COM
AIMEE@CORTEZQUILTCOMPANY.COM

Professional, timely
service on all brands
of machines.

made to create

BERNINA



QUILTED CORNERS
3030 EAST MAIN STREET
SUITE A1
505-325-9358

WWW.CORTEZQUILTCOMPANY.COM
TODD@CORTEZQUILTCOMPANY.COM
CASSIDY@CORTEZQUILTCOMPANY.COM

The 4-Corners
Largest Authorized
BERNINA Dealer

BERNINA

made to create

Quilted Corners

We have Longarms,
Machines, Fabrics,
Notions, Patterns,
Kits, Classes, and
much more!

Professional, timely
service on all brands
of machines.



Membership

Greetings from the Membership Committee!

It is time to renew your membership for 2022! You can register at one of the guild meetings or you can print a registration form located on our website at sjgg.org under the Membership tab and, either bring it with you to a guild meeting or, mail it to the address on the form – please remember to include your dues of \$30. To ensure you are included in the printed membership roster, please register no later than the Saturday, March 12th guild meeting.

As of this writing, we have received 34 registrations: 32 renewals, one auxiliary and one new member!

Please welcome our new member, Cheryl Hare, who registered at our Saturday meeting! Cheryl’s contact information is 505-486-2753 and email cherylhare2@gmail.com.

Please be sure to invite your quilting family and friends to our meetings. People are interested in joining us!

Jill Tanis

elna
SWISS DESIGN

New Year's
SUPER BUYS

2022

eXcellence 680

- 80th Anniversary Edition
- 170 built-in stitches
- 1000 stitches per minute
- Impressive stability & comfort
- Bonus Feet included

MSRP: \$1,699
Sale \$1,399

For More **SUPER BUYS**, Visit Your Local **ELNA Dealer**

Bob's Sewing & Vacuum Center
www.bobssewnvac.com

Find us on Facebook
East Store
1641 Eubank, NE
Albuquerque 87112
(505)294-6155

West Store
3551 Highway 528
Albuquerque 87114
(505)897-9782

BERNINA
Long Arm Machines

PFAFF

ARROW
Sewita Cabinets

JANOME
WHAT'S NEXT

Gammill.

SIZED FOR YOUR SPACE PRICED FOR YOUR BUDGET

FIND YOUR FIT NOW!

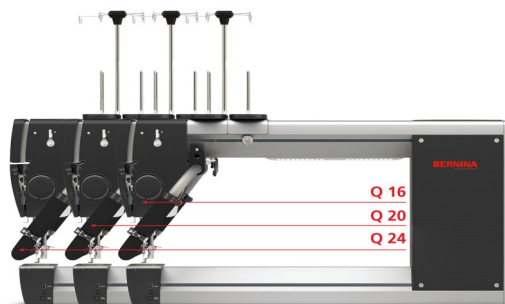
All models in stock
Come test drive today!

Only at:

stitch



Q24 + Qmatic



Q 16
Q 20
Q 24



Q20



Q16

858 Main Ave, Suite 102 Durango, CO
(970) 247-1085
www.stitchonline.net

stitch

BERNINA
made to create

Programs

UFO Challenge Entry Rules

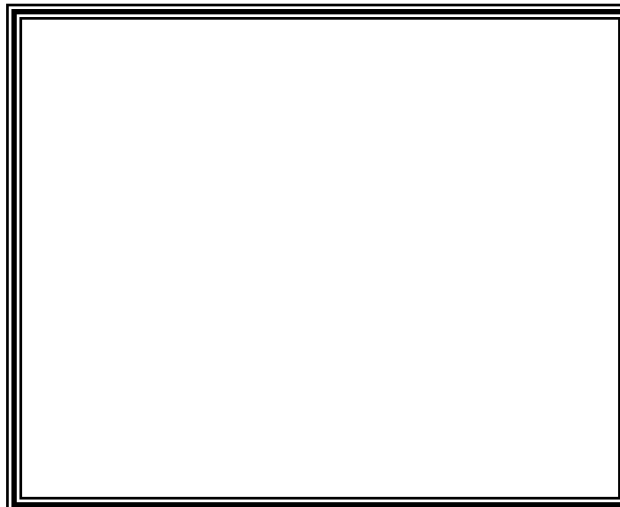
Submit a UFO and contribute \$1.00 for each UFO submitted. The deadline to complete the UFO is the June meeting. When you complete you will receive your \$1.00 back and receive a raffle ticket. A UFO can be completed any time between now and June. Just bring to a guild meeting and show us what you completed (completed = quilted & bound.) If you don't complete your UFO, the money you submitted stays in the pot and a drawing will be held in June for the remaining money. We have about 40 UFOs submitted between the day and Saturday meetings! Get busy quilters.

February - Love Bug

Bring 5 fat quarters, sewing machine, fiberfill, and jumbo rick rack plus sewing supplies I will have patterns available. This is a sewing get together. If you want to make a cute children's pillowcase, bring 27" by width of fabric and a 9" accent fabric by width of fabric. We will take pictures at end of day. Email me if you have questions.

georgiacortez55@gmail.com.
505-486-4368

San Juan Quilters Guild
 P. O. Box 5541
 Farmington, NM 87499



Visit us on the web at
www.sjgg.org

Morning Meeting

Second Tuesday of the Month
 Socializing at 9:30AM
 Meeting at 10:00 AM
 Farmington Civic Center
 200 W. Arrington

Saturday Meeting

As announced
 Piedra Vista High School

The San Juan Quilters Guild meets the second Tuesday of each Month at the Farmington Civic Center (daytime) 200 W. Arrington St. *Random Scraps* is published in January, March, May, July, September and November of each year. Quilting related articles, tips, hints and news are welcome. Items are due to the editor NLT Mid-night on the Saturday following the Board meetings. Mail submissions to the editor: Shellie Purcell, 733 Sunrise Ct., Farmington, NM 87401 or PREFERABLY, email at quilt-bean1@msn.com. Items received prior to publication date will be included as space permits.