



# Random Scraps

San Juan Quilters Guild

**Apr 12th, 2022**

At the Civic Center

Gather = 9:30 am  
Meeting = 10:00 am

Cheryl Hogue

Trunk Show  
and

Applique Class, bring swing machine with regular supplies, 12" background square & assortment of fabric for applique

**Inside**

Page 2—President's Letter  
Page 3—Birthdays  
Page 4—Board Minutes  
Page 5—Ads  
Page 6—Programs  
Page 7—Programs

**May 10, 2022**

At the Civic Center

Gather = 9:30 am  
Meeting = 10:00 am

Terrie Hancock Mangat

Trunk Show, digital presentation & demonstrations

**Saturdays**

**May 14, 2022**

At Piedra Vista High  
Rooms B001 & B003

Gather = 9:30 am  
Meeting = 10:00 am

Bring basic sewing supplies

Sewing Meeting

## Letter from the President

Dear Friends and Quilters,

2022 is going strong for our SJQG. Our membership is returning to share their talents and new projects. The board is planning hard to make this year a great experience for everyone. It is so nice to re-experience our time together.

The Saturday SJQG has been very successful for working women and regular members. Because the 2nd Tuesday of April is a holiday weekend, Cheryl taught her class on applique early and all really enjoyed the time together. We will not have a Saturday Meeting at PV in April as many will be out of town or busy with families. Hope all will return to our schedule for May.

Our regular Tuesday meeting for April will be Cheryl teaching the applique class after we all enjoy her trunk show. If you are signed up for the class, be sure to bring your supply list that she passed out. If you did not sign up for a lunch, you will need to bring a sack lunch. Those in the class will move right into their class after a short rest.

Tickets for our opportunity quilt are now available. Please share the pictures with people who would like to have a beautiful quilt. Tickets are still \$1 per ticket or, 6 for \$5. These tickets with a short note could be a great “thinking of you” or “thank you”. We all have family or friends that would enjoy a quilt so think about them as you try selling tickets for the guild.

Hope to see you in April. Be safe and quilt like crazy. Remember the County Fair Quilt Show will need your entry.

Annette Lee

2022 SJQG President



# FAT QUARTERS

**Bring a Fat Quarter  
For the drawing:**

**Apr – Pink & Yellow**

**May – Floral Prints**

**Mesas to Monuments Quilt Show**

April 8th & 9th

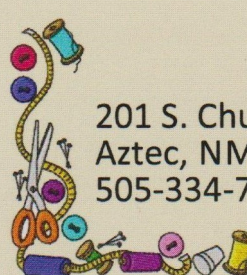
Grand Junction Convention Center  
Main Street, Grand Junction, CO

Admission \$5

Watch for a separate email with details

Happy  
Birthday!

- |                   |        |
|-------------------|--------|
| Bev Spellbring    | 1-Apr  |
| Lucy McKelvey     | 2-Apr  |
| Katherine Jenkins | 11-Apr |
| Georgia Cortez    | 18-Apr |
| Andrea Johenk     | 23-Apr |
| Gail Hoffman      | 29-Apr |
| Connie Nordstrom  | 30-Apr |
| Karen McGee       | 4-May  |
| Bert Roark        | 8-May  |
| Pamela Myers      | 16-May |
| Beverly Roget     | 24-May |
| Cheryl Hare       | 26-May |
| Morgan Ingram     | 30-May |



**Quilt It Ya Ya**  
Fabrics, Notions & More  
Specializing in Quilting Supplies  
Quilting Classes Available  
Other Services Offered: Alterations

201 S. Church Avenue  
Aztec, NM 87410  
505-334-7490 505-334-9566

Mary Craig  
Owner



**QUILTED THREADS**  
HAND GUIDED MACHINE QUILTING

**LORI COSBY**  
5501 EVERGREEN DRIVE  
FARMINGTON, NM 87402  
SewOverIt@gmail.com  
505-360-9868 505-325-4490



**Durango Quilt Company**  
EMAIL: [durangoquilts@qwestoffice.net](mailto:durangoquilts@qwestoffice.net)

450 S Camino del Rio, Ste 102  
Durango, CO 81301  
970-247-2582  
Store Hours: Mon. to Sat.  
10:00 AM to 2:00 PM

Closed Sundays



**Snoops**  
Home Repair Services

Improvements | Maintenance | New Product Installations

Tim Hughes  
(505) 330-8711

Email:  
[timsnoops@gmail.com](mailto:timsnoops@gmail.com)

### San Juan Quilters Guild Board Meeting—March 10, 2022

#### Call to Order

Meeting called to order by Annette Lee, President

Minutes of the January 2022 Board Meeting were read by Kim Duke, Secretary.

Rita Jaquez Arnold made a motion to approve the minutes, Georgia Cortez seconded and the minutes were approved.

#### Old Business

Karen Brimhall and Ellen Vandruff are in charge of the opportunity quilt tickets. Cathy Otten has put a picture of the quilt on Facebook, and Ellen has printed pictures for members who want them. Bert Roark took some tickets for the Saturday group. Karen is asking for suggestions where we can display the quilt. We can display it at the Art Walks downtown but someone must sit with it at all times. Outdoor venues are hard on the quilt and it was decided that if it is an outdoor venue, it must be in a tent to protect it. Lori Cosby said if the Grand Junction Quilt Show was contacted, they would let us sell tickets there. Karen Brimhall proposed that a poster size picture of the quilt be made to display when the quilt cannot be present. Georgia Cortez made a motion and Cheryl Hough seconded. Motion carried.

It was requested that the re-stash program be moved to another month other than August since some members will be working at the fair. Georgia and Linda said they would see if they could re-schedule programs.

Cheryl Hough has about 30 people signed up for her class. She needs to know if anyone else is interested so she can buy her supplies and she can give a list of supplies to the students wanting to sign up. There are some items that the student must bring.

#### New Business

Annette Lee is concerned that the business part of the guild meetings is running too long, taking time away from sewing time. Comments were exchanged and it was decided that members presenting committee reports or anything else needed to be prepared and their remarks brief. It was suggested that the door prizes be left on the back table and when a winning number was called that the winner go retrieve her own prize so that Vernell doesn't have to walk all the way around the room trying to find people. It was decided that Vernell needed to be consulted before any firm decision was made.

The programs committee wanted to remind everyone that your finished UFOs are not to be shown until the June meeting. The entire program in June is going to be a show and tell of the finished items. The exception to this would be if someone needs to give it out as a gift before that date—then they can show it early.

The tentative November program with modern quilter Cindy Grisdela was discussed. She would give a lecture via zoom and then she would offer a ½ day workshop for those who wanted to stay and take it. She will take a maximum of 24 students for the workshop. Georgia is still working out details and said she would like to talk to the guild to see if they were interested.

Fair time will be here shortly and we need someone to be in charge of that. the guild will check with Gail Hoffman to see if she is well enough to resume her fair board duties. She would still need another person to serve with her as far as the guild duties are concerned. Members are reminded that we do not run the fair. The fair board is in charge. The guild is there to help and we must be respectful of the fair board and their decisions.

Lori Cosby reported that she had delivered 16 quilts. She also delivered several small pillowcases to the pediatric unit of San Juan Regional.

Jill Tanis reported that we currently have 52 members, one of those being an auxiliary member. She and Rita personally called all those who had previously been members, but hadn't joined again. Jill felt that maybe 10 of those called might rejoin. Everyone was reminded that it's important to make members feel welcome.

Signatures on the bank accounts at Citizens Bank need to be changed. The board voted to remove as signers, Ellen Vandruff and Linda Barlow. Signers on the new cards will be Susan Nelson, Treasurer, Annette Lee, President, and Cathy Otten.

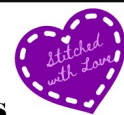
Susan Nelson gave the treasurers report. Any member may receive a copy upon request.

#### Motion to Adjourn

Georgia Cortez made a motion to adjourn, Linda Barlow Seconded

Those Attending: Annette Lee, Susan Nelson, Jill Tanis, Lori Cosby, Kim Duke, Linda Barlow, Karen Brimhall, Ellen Vandruff, Georgia Cortez, Cheryl Hough, Bert Roark and Rita Jaquez-Arnold.

Longarms - Machines  
Fabrics - Notions - Patterns  
Kits - Classes...  
and so much more!



The 4-Corners  
Largest Authorized  
**BERNINA**  
Dealer

# Cortez Quilt Company and more



CORTEZ QUILT COMPANY  
40 WEST MAIN STREET  
970-565-7541

[WWW.CORTEZQUILTCOMPANY.COM](http://WWW.CORTEZQUILTCOMPANY.COM)  
[AIMEE@CORTEZQUILTCOMPANY.COM](mailto:AIMEE@CORTEZQUILTCOMPANY.COM)

Professional, timely  
service on all brands  
of machines.

made to create

**BERNINA**



QUILTED CORNERS  
3030 EAST MAIN STREET  
SUITE A1  
505-325-9358

[WWW.CORTEZQUILTCOMPANY.COM](http://WWW.CORTEZQUILTCOMPANY.COM)  
[TODD@CORTEZQUILTCOMPANY.COM](mailto:TODD@CORTEZQUILTCOMPANY.COM)  
[CASSIDY@CORTEZQUILTCOMPANY.COM](mailto:CASSIDY@CORTEZQUILTCOMPANY.COM)

The 4-Corners  
Largest Authorized  
**BERNINA** Dealer

**BERNINA**

made to create

# Quilted Corners

We have Longarms,  
Machines, Fabrics,  
Notions, Patterns,  
Kits, Classes, and  
much more!

Professional, timely  
service on all brands  
of machines.



# Programs

## April Guild Meeting:

Cheryl Hogue who will do a trunk show and an applique class. This is a free class and you will need the following:

1. your sewing machine with the requisite equipment
2. background fabric for a 12 inch square
3. fabric for the applique ( assortment of fat quarter in complimentary colors)

## May Guild Meeting:

Terrie Hancock Mangat is from Taos, NM and has roots from Kentucky. Terrie embarked on a career as a Contemporary Quiltmaker and has an established reputation as one of the most important embellishers working today. Terrie's work has been exhibited in museums across the USA and in Japan, England and Europe. She is featured in the spring 2022 Quilting Arts magazine. She will do a trunk show, digital presentation and demonstrations. Pricing for the workshop is still in progress and will be announced later.

## QUILT MAKER PRO 20



**Delivered and Installed \$12,999!**

- 20" machine arm
- Speed up to 2,500 stitches per minute
- Precision and Cruise Stitch Regulation
- Manual speed mode
- Height adjustable front handlebar with digital touchscreen display for micro quilting
- LED lighting
- Large-capacity M-class bobbin
- 4- 8- or 12-foot table

**JANOME**  
Reliability by Design

 Find us on  
Facebook

East Store  
1641 Eubank, NE  
Albuquerque 87112  
(505)294-6155

**BERNINA**  
Long Arm Machines

**Bob's**  
**Sewing & Vacuum**

[www.bobssewnvac.com](http://www.bobssewnvac.com)

**PFAFF**

**ARROW**  
Sewing Cabinets

**Center**  
**JANOME**  
Reliability by Design

West Store  
3551 Highway 528  
Albuquerque 87114  
(505)897-9782

*Gammill.*

## SIZED FOR YOUR SPACE PRICED FOR YOUR BUDGET

FIND YOUR FIT NOW!

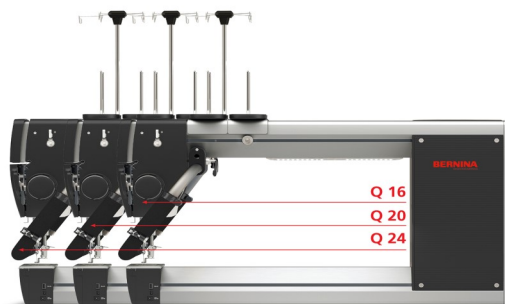
All models in stock  
Come test drive today!

Only at:

stitch



Q24 + Qmatic



Q 16  
Q 20  
Q 24



Q20



Q16

858 Main Ave, Suite 102 Durango, CO  
(970) 247-1085  
[www.stitchonline.net](http://www.stitchonline.net)

stitch

**BERNINA**  
made to create

## SAVE THE DATE

### Re-Stash

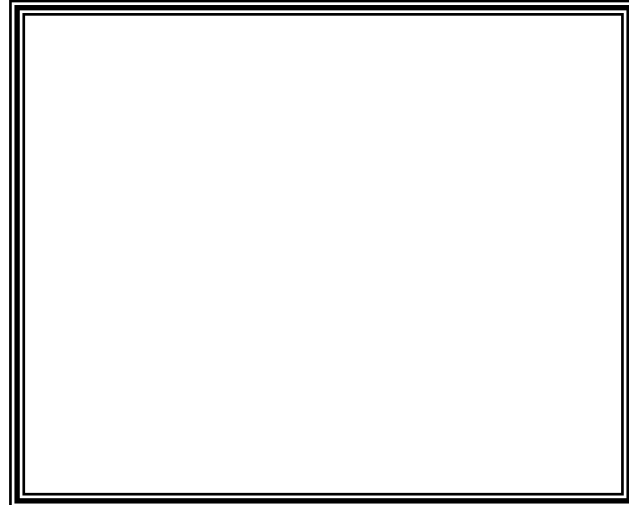
**NEW OR SLIGHTLY USED: Fabric, Thread, Patterns, Tools, Books, Rulers, Templates, Yarn, Knitting/Crochet needles, stamps, paints, needles, ribbons, embellishments and all things fiber arts.**

**TUESDAY, AUGUST 16<sup>TH</sup> AT THE CIVIC CENTER**  
**\*\*\* PLEASE NOTE THIS CHANGE TO OUR MONTHLY GUILD MEETING \*\*\***

Set up & Gather: 8:30-9:30  
Guild meeting: 10:00  
Sale begins at end of meeting

**(Sellers must be guild members; have all items pre-priced & bring cash/coins for change. Non-members are welcome to come, shop & spend their money:>)**

San Juan Quilters Guild  
 P. O. Box 5541  
 Farmington, NM 87499



Visit us on the web at  
[www.sjgg.org](http://www.sjgg.org)

### Morning Meeting

Second Tuesday of the Month  
 Socializing at 9:30AM  
 Meeting at 10:00 AM  
 Farmington Civic Center  
 200 W. Arrington

### Saturday Meeting

As announced  
 Piedra Vista High School

The San Juan Quilters Guild meets the second Tuesday of each Month at the Farmington Civic Center (daytime) 200 W. Arrington St. *Random Scraps* is published in January, March, May, July, September and November of each year. Quilting related articles, tips, hints and news are welcome. Items are due to the editor NLT Mid-night on the Saturday following the Board meetings. Mail submissions to the editor: Shellie Purcell, 733 Sunrise Ct., Farmington, NM 87401 or PREFERABLY, email at [quilt-bean1@msn.com](mailto:quilt-bean1@msn.com). Items received prior to publication date will be included as space permits.